

# Industrial Dry Chemical

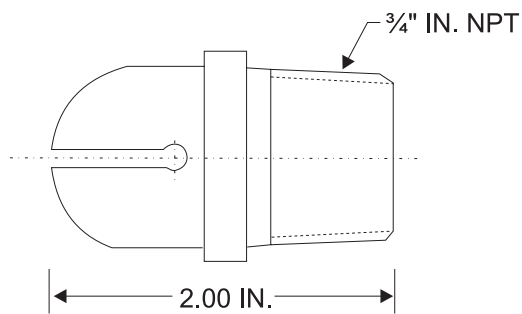
## Tankside Nozzle

Effective: March 2007  
**K-83-011**

**P/N: 259072**

### **DESCRIPTION**

The Tankside Nozzle is designed to discharge a flat, semicircular blanket of dry chemical over the surface of a flammable liquid.



This literature is provided for informational purposes only. KIDDE-FENWAL, INC. assumes no responsibility for the product's suitability for a particular application. The product must be properly applied to work correctly. If you need more information on this product, or if you have a particular problem or question, contact KIDDE-FENWAL, INC., Ashland, MA 01721. Telephone: (508) 881-2000.